

JENSEN[®] audio

AM/FM DUAL ALARM CLOCK RADIO WITH WAVE SENSOR

MODEL JCR-275



USER MANUAL

PLEASE READ THIS USER MANUAL COMPLETELY BEFORE
OPERATING THIS UNIT AND RETAIN THIS BOOKLET FOR
FUTURE REFERENCE.

WARNINGS

WARNING:

To reduce the risk of fire or electric shock, do not expose this appliance to rain or moisture.

CAUTION:

Use of controls or adjustments or performance of procedures other than those specified may result in hazardous radiation exposure.



CAUTION - TO REDUCE THE RISK OF ELECTRIC SHOCK, DO NOT REMOVE COVER (OR BACK). NO USER-SERVICING TO QUALIFIED SERVICE PERSONNEL.



The lightning flash with arrowhead symbol, within an equilateral triangle, is intended to alert the user to the presence of uninsulated "dangerous voltage" within the product's enclosure that may be of sufficient magnitude to constitute a risk of electric shock to persons.



The exclamation point within an equilateral triangle is intended to alert the user to the presence of important operating and maintenance (servicing) instructions in the literature accompanying the appliance.

IMPORTANT SAFETY INSTRUCTIONS

- 1) Read these Instructions.
- 2) Keep these Instructions.
- 3) Heed all Warnings.
- 4) Follow all Instructions.
- 5) Do not use this apparatus near water.
- 6) Clean only with a dry cloth.
- 7) Do not block any ventilation openings. Install in accordance with the manufacturer's instructions.
- 8) Do not install near any heat sources such as radiators, heat registers, stoves, or other apparatus (including amplifiers) that produce heat.
- 9) Do not defeat the safety purpose of the polarized or grounding-type plug. A polarized plug has two blades with one wider than the other. A grounding type plug has two blades and a third grounding prong. The wide blade or the third prong are provided for your safety. When the provided plug does not fit into your outlet, consult an electrician for replacement of the obsolete outlet.
- 10) Protect the power cord from being walked on or pinched particularly at plugs, convenience receptacles, and the point where they exit from the apparatus.

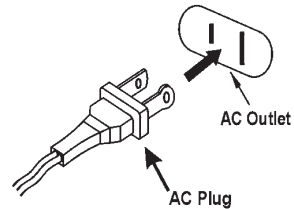
- 11) Only use attachments/accessories specified by the manufacturer.
- 12) Use only with a cart, stand, tripod, bracket, or table specified by the manufacturer, or sold with the apparatus. When a cart is used, use caution when moving the cart/apparatus combination to avoid injury from tip-over.
- 13) Unplug this apparatus during lightning storms or when unused for long periods of time.
- 14) Refer all servicing to qualified service personnel. Servicing is required when the apparatus has been damaged in any way, such as power-supply cord or plug is damaged, liquid has been spilled or objects have fallen into the apparatus, the apparatus has been exposed to rain or moisture, does not operate normally, or has been dropped.
- 15) The apparatus shall not be exposed to dripping or splashing and that no objects filled with liquids, such as vases, shall be placed on apparatus.
- 16) Main plug is used as disconnect device and it should remain readily operable during intended use. In order to disconnect the apparatus from the mains completely, the mains plug should be disconnected from the mains socket outlet completely.
- 17) Battery shall not be exposed to excessive heat such as sunshine, fire or the like.
- 18) The marking information is located at the bottom of apparatus.
- 19) **CAUTION**
Danger of explosion if battery is incorrectly replaced. Replace only with the same or equivalent type.

PORTABLE CART WARNING
(symbol provided by RETAC)



810-00000S-190

⚠ CAUTION:
TO PREVENT ELECTRIC SHOCK,
MATCH WIDE BLADE OF AC PLUG TO WIDE SLOT.
FULLY INSERT.



SAVE THESE INSTRUCTIONS

COMPLIANCE WITH FCC REGULATIONS

This device complies with Part 15 of the FCC Rules. Operation is subject to the following two conditions:

- (1) this device may not cause harmful interference, and
- (2) this device must accept any interference received, including interference that may cause undesired operation.

NOTE: This equipment has been tested and found to comply with the limits for a Class B digital device, pursuant to Part 15 of the FCC Rules. These limits are designed to provide reasonable protection against harmful interference in a residential installation. This equipment generates, uses and can radiate radio frequency energy and, if not installed and used in accordance with the instructions, may cause harmful interference to radio communications. However, there is no guarantee that interference will not occur in a particular installation. If this equipment does cause harmful interference to radio or television reception, which can be determined by turning the equipment off and on, the user is encouraged to try to correct the interference by one or more of the following measures:

- Reorient or relocate the receiving antenna.
- Increase the separation between the equipment and receiver.
- Connect the equipment into an outlet on a circuit different from that to which the receiver is connected.
- Consult the dealer or an experienced radio/TV technician for help.

CAUTION: Changes or modifications not expressly approved by the party responsible for compliance could void the user's authority to operate the equipment.

PROTECT YOUR FURNITURE

This model is equipped with non-skid rubber 'feet' to prevent the product from moving when you operate the controls. These 'feet' are made from non-migrating rubber material specially formulated to avoid leaving any marks or stains on your furniture. However certain types of oil based furniture polishes, wood preservatives, or cleaning sprays may cause the rubber 'feet' to soften, and leave marks or a rubber residue on the furniture. To prevent any damage to your furniture we strongly recommend that you purchase small self-adhesive felt pads, available at hardware stores and home improvement centers everywhere, and apply these pads to the bottom of the rubber 'feet' before you place the product on fine wooden furniture.

DEAR JENSEN® CUSTOMER

Selecting fine audio equipment such as the unit you've just purchased is only the start of your musical enjoyment. Now it's time to consider how you can maximize the fun and excitement your equipment offers. This manufacturer and the Electronic Industries Association's Consumer Electronics Group want you to get the most out of your equipment by playing it at a safe level. One that lets the sound come through loud and clear without annoying blaring or distortion and, most importantly, without affecting your sensitive hearing.

Sound can be deceiving. Over time your hearing "comfort level" adapts to higher volumes of sound. So what sounds "normal" can actually be loud and harmful to your hearing. Guard against this by setting your equipment at a safe level BEFORE your hearing adapts.

To establish a safe level:

- Start your volume control at a low setting.
- Slowly increase the sound until you can hear it comfortably and clearly, and without distortion.

Once you have established a comfortable sound level:

- Set the dial and leave it there.

Taking a minute to do this now will help to prevent hearing damage or loss in the future. After all, we want you listening for a lifetime.

We Want You Listening For a Lifetime

Used wisely, your new sound equipment will provide a lifetime of fun and enjoyment. Since hearing damage from loud noise is often undetectable until it is too late, this manufacturer and the Electronic Industries Association's Consumer Electronics Group recommend you avoid prolonged exposure to excessive noise.

Customer's Record:

The serial number of this product is found on its bottom. You should note the serial number of this unit in the space provided as a permanent record of your purchase to aid in identification in the event of theft or loss.

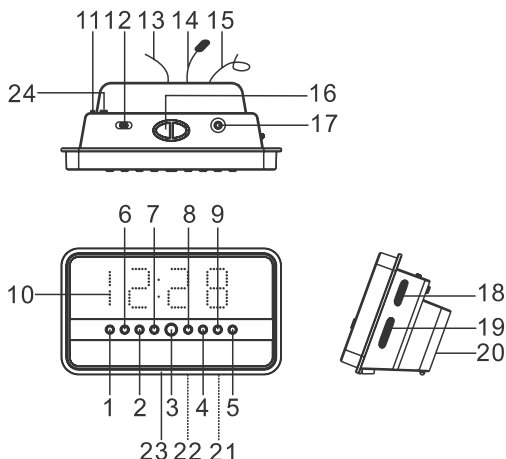
Model Number: JCR-275

Serial Number: _____

LOCATION OF CONTROLS

Controls and Functions of Unit

1. AM/FM Band Button
2. ► / Y-M-D / DST Button
3. Snooze / Sleep / Time Zone Button
4. Alarm Set Button
5. On / Off Button
6. ◀ / Temp / °C/ °F Button
7. Alarm 1 Radio / Alarm Button
8. Alarm 2 Radio / Alarm Button
9. Time Set Button
10. LED Display
11. Reset Button
12. Auto Off / High / Low Dimmer Switch
13. AC Power Cord
14. Temperature Sensor (For indoor use)
15. FM Wire Antenna
16. Infrared Sensor
17. Aux In Jack
18. Volume Knob
19. Tuning Knob
20. Speaker
21. Rating Label
22. Battery Door
23. Night Light
24. Light On/Off Button



POWER REQUIREMENTS

This unit operates on 120V~ 60Hz and requires 1 x CR2032 Lithium battery (included) for clock backup during power outage. Prior to first use, please remove the plastic battery insulator tab to activate the backup batteries. Do not attempt to operate the radio on any other power source. You could cause damage to the unit and void your warranty.

REPLACING BACKUP BATTERY

1. Remove the screw from the BATTERY COMPARTMENT COVER and remove the compartment.
2. Remove battery. Install 1 brand new CR2032 Lithium 3V battery according to the polarity markings on the BATTERY COMPARTMENT COVER.
3. Replace the BATTERY COMPARTMENT COVER and tighten the screw to secure the compartment.

NOTE: The unit will operate without a battery installed, but your time and alarm settings will be lost and will have to be reset in the event of a power interruption or failure.

IMPORTANT: Be sure that the battery is installed correctly.

Wrong polarity may damage the unit and void the warranty.

For best performance and longer operating time, we recommend the use of good quality batteries.



CAUTIONS

1. Do not mix old and new batteries.

2. Do not mix alkaline, standard (carbon-zinc) or rechargeable (nickel-cadmium) batteries.
3. If the unit is not to be used for an extended period of time, remove the batteries. Old or leaking batteries can cause damage to the unit and may void the warranty.
4. Do not dispose of batteries in fire, batteries may explode or leak.
5. Replace all the batteries at the same time, no matter exhausted or not, every 2 years at the same time to avoid possible battery leakage.

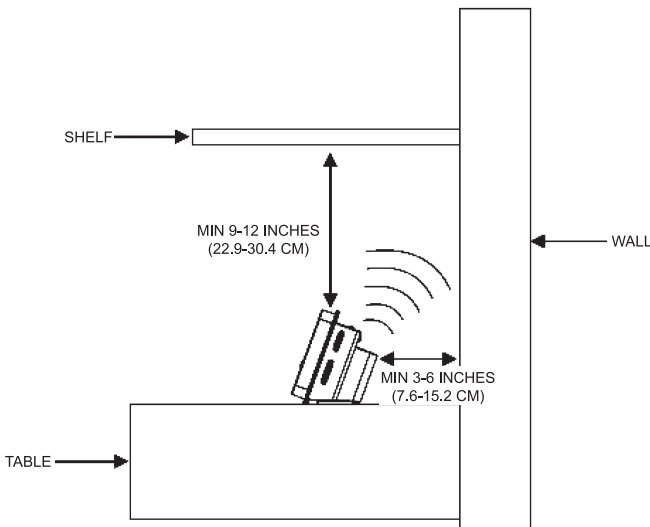
GETTING STARTED

Please be sure the outlet you plug this unit into is working and provides uninterrupted power.

1. Insert the plug of the AC power cord into a 120V~ 60Hz outlet.
2. Press the RESET BUTTON (#11) on the bottom of the unit with a pointed object (e.g. a straighten paper clip) to initialize. After a brief self test, the unit enters the clock mode at 12:00AM.

IMPORTANT

There is a sensor located on top of the unit that picks up any movement or objects near the top or back of the unit. Please be sure to place the radio on a surface with no obstructions 9-12 inches above or 3-6 inches behind the unit. This will help maximize the area for recognizing the motion of your hand and also reduce the chances of the unit false triggering. If the unit begins beeping and the display functions erratically, it may be either too close to an object above or behind the unit. If this happens, please make sure there are 9-12 inches of clearance above and 3-6 inches behind the unit to avoid the false triggering.



SETTING UP THE CALENDAR AND CLOCK

Setting up the Calendar and Clock in normal time or radio mode:

1. Press and hold the TIME SET BUTTON (#9) for 2 seconds to enter calendar setting mode.
2. Press the ► BUTTON (#2) or ◀ BUTTON (#6) to increase or decrease the Year (digits are flashing) setting.
3. Press the TIME SET BUTTON (#9) to confirm and cycle through other settings as follow.
Normal → Year → Month → Day → 12/24H → Hour → Min → Normal

SETTING UP THE TIME ZONE

There are 7 time zones programmed into your unit:

- Zone 1 : Atlantic time
- Zone 2 : Eastern time (factory preset)
- Zone 3 : Central time
- Zone 4 : Mountain time
- Zone 5 : Pacific time
- Zone 6 : Yukon time
- Zone 7 : Hawaiian time

1. In standby mode, press and hold the TIME ZONE BUTTON (#3) until the current time zone number shows and is flashing.
2. Press the ► BUTTON (#2) or the ◀ BUTTON (#6) to change to the time zone number, 1-7 as shown above that corresponds to your area.
3. Press the TIME SET BUTTON (#9) to confirm.

DST - DAYLIGHT SAVING TIME

The DST function allows you to add one hour to the current time (in Spring) and subtract an hour from the current time (in Fall), if DST is observed in your area.

Press and hold DST BUTTON (#2) for 3 seconds to toggle the DST function on and off. A ☼ icon will appear in the top left corner of the display when adding an hour and the ☼ icon will go off when an hour is subtracted.

CALENDAR AND TEMPERATURE DISPLAY

Selecting Calendar and Temperature display in normal time or radio mode:

- Press the TEMP BUTTON (#6) to display the ambient indoor temperature momentarily for 5 seconds.
Note: The temperature display is default to display Celsius readings. To display Fahrenheit readings, press and hold the C/F BUTTON (#6) to change Fahrenheit.
- Press the Y-M-D BUTTON (#2) to display the current Year momentarily (5 seconds). While the Year is displayed, press the Y-M-D BUTTON (#2) again to change to show the current Month and Date momentarily (5 seconds).

SETTING UP THE ALARMS

Setting up Alarm 1 and Alarm 2 in normal time or radio mode:

1. Press and hold the ALARM SET BUTTON (4) for 2 seconds to enter the alarm set mode.
2. Press the ► BUTTON (#2) or the ◀ BUTTON (#6) to increase or decrease the Hour (digits are flashing) setting.
3. Press the TIME SET BUTTON (#9) to confirm and cycle through other settings as follow.
Normal → ALARM1 Hour → ALARM1 Minute → Alarm Weekdays → ALARM 2 Hour → ALARM 2 Minute → Normal
Note for Weekday Alarms:
 - 1 – 7 means alarm will sound from Monday to Sunday.
 - 1 – 6 means alarm will sound from Monday to Saturday only.
 - 1 – 5 means alarm will sound from Monday to Friday only.

Changing the alarm output source:

1. Press the ALARM 1 (#7) or ALARM 2 (#8) BUTTON to select the Music option (🎵) for wake-to-radio.
2. Press the same button again to change to the Alarm option (🔔) for wake-to-alarm.
3. Press the same button again to disable the corresponding ALARM 1 or 2.

Turning Off the Alarm:

The alarm or radio will sound for 30 minutes unless interrupted by pressing the corresponding ALARM 1 or ALARM 2 BUTTONS or ON/OFF BUTTON (#5). It will repeat the chosen alarm again at the same time on the following day according to the weekday alarm settings described above.

SNOOZE FUNCTION

When the preset alarm time is reached, the chosen alarm will sound. You can momentarily stop the alarm sound for 9 minutes by using the snooze function.

- Press the SNOOZE BUTTON (#3) for a 9 minute snooze duration during beep or radio alarm.
- During the Snooze delay, the alarm icon 🎵 or 🔔 will flash.
- The Snooze function can be repeated within the alarm duration.
- If you set the DISPLAY DIMMER SWITCH (#12) to the Auto OFF Mode, the LED DISPLAY (#10) will turn off automatically after the snooze function is activated and then light again when the snooze duration has expired.

LISTENING TO RADIO

1. Choose between AM and FM bands by using the BAND SELECTOR BUTTON (#1).
2. Press the ON/OFF BUTTON (#5) to turn radio on.
3. Rotate the TUNING CONTROL (#19) to your desired radio station according to the dial scale on the unit.
4. Rotate the VOLUME CONTROL (#18) to adjust to the desired output level.
5. To turn off the radio, press the ON/OFF BUTTON (#5).

TIPS FOR BEST RECEPTION

AM – The AM antenna is located inside the cabinet of the unit. If AM reception is weak, change the position of unit until the internal antenna picks up the strongest signal.

FM – During FM reception, always keep the FM WIRE ANTENNA (#15) fully extended for best performance. However, if FM reception is weak, try repositioning the unit until you get the best reception.

SLEEP TIMER OPERATIONS

Setting sleep time while listening to radio:

1. Press the SLEEP BUTTON (#3) to activate the Sleep function. The default sleep time is 90 minutes and will flash for 5 seconds unless you change it.
2. Press the SLEEP BUTTON (#3) repeatedly to decrease the sleep time to 60, 30, 15 minutes or OFF.

USING THE AUX IN TO LISTEN TO EXTERNAL AUDIO PLAYER

You can playback your favorite music from your iPod or portable digital audio player using the Aux in function.

1. Connect the headphone jack of your external device to the AUX IN JACK (#17) located on the back of the unit using a stereo cord with a 3.5mm phone plug on either ends. (Note: the stereo cord is not included)
2. Press the ON/OFF BUTTON (#5) to turn on the radio. It will automatically switch to Aux In mode when a suitable stereo cord is correctly connected.
3. Start playing your external audio device.
4. Slowly increase the volume control of the unit until the desired level is obtained. To avoid output sound distortion due to overloading, you may need to lower the volume output of your audio device.

Note: the stereo music from your audio device will be converted to a monaural audio output.

5. Turn off your external audio device first when you finish listening.
6. Then unplug the stereo cord from the AUX IN JACK (#17) and normal radio reception will resume.

INFRARED SENSOR FUNCTION

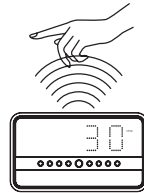
1. In radio off mode, to display indoor temperature and alarm time settings:



Wave your hand over the IR SENSOR (#16) once to show the indoor temperature	Wave your hand over the IR SENSOR (#16) again within 1 second to show the ALARM 1 time	Wave your hand over the IR SENSOR (#16) again within 1 second to show the ALARM 2 time
-----------------------------------------------------------------------------	----------------------------------------------------------------------------------------	----------------------------------------------------------------------------------------

2. In radio on mode, to turn sleep function on:

- Wave your hand over the IR SENSOR (#16) for about 2 seconds to turn on the sleep function, the "sleep" icon will flash in the LED display.
- Sleep time can only be set for a maximum 90 minutes.
- Press the SLEEP BUTTON (#3) to change the sleep time as described before.
- Press the ON/OFF BUTTON (#5) to cancel the sleep function.



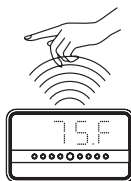
3. While the alarm is sounding, to turn snooze function on:

- Wave your hand over the IR SENSOR (#16) once to activate the snooze for 9 minutes.



4. In radio on mode, to display the radio frequency and in door temperature:

Wave your hand over the IR SENSOR (#16) to show the indoor temperature	Wave your hand over the IR SENSOR (#16) again within 1 second to show the radio frequency
------------------------------------------------------------------------	-------------------------------------------------------------------------------------------



Wave your hand over the IR SENSOR (#16) again within 1 second to show the ALARM1 time

Wave your hand over the IR SENSOR (#16) again within 1 second to show the ALARM 2 time



5. In radio off mode, with the Display Dimmer Switch set to “AUTO OFF”, the time display will automatically turn off in 15 seconds. Use the IR Sensor to turn it on again:

- Wave your hand over the IR SENSOR (#16) to turn the display on.



DIMMER CONTROL

The display DIMMER SWITCH (#12) is located on the back of the unit. Select either AUTO/HIGH/LOW to change the brightness of the LED DISPLAY (#10).

NIGHT LIGHT

The night light can be turned on or off using the LIGHT ON/OFF button located on the back of the unit.

RESETTING THE UNIT

After you have installed the backup batteries and connect the unit to an AC power source for the first time, we recommend you to press the RESET Button (#11) located on the bottom of the unit to correctly initialize it.

In case of an erroneous display or prolonged abnormal behavior during normal use, you can also safely restore the unit to its factory preset condition by pressing the RESET Button (#11). Please note that all personal settings including current time, alarm time and sleep session will be cleared and will need to be reset, so be sure to set up the clock again according to previous sections above.

Note: In very rare instances, such as an electrostatic discharge on a dry cold winter day, if the unit still fails to reset after pressing the RESET Button, you should unplug it from the AC power source and then remove the backup batteries from the battery compartment at the bottom of the unit for at least 10 minutes. After 10 minutes, reinsert the batteries, plug the unit back in and press the RESET button again.

SPECIFICATIONS

Frequency Range: AM 530 - 1710 kHz
 FM 88 - 108 MHz
 AC Power Source: 120V~ 60Hz 5W
 Backup Battery: 1 x 3V \equiv type CR2032 Lithium battery (included)
 Clock Accuracy: up to +/- 60 seconds per month
 Temperature Sensor Range: 32 °F to 122 °F (0°C to +50°C)

CARE AND MAINTENANCE

1. Children should be supervised when using this appliance.
2. Never wrap the ac power cord around any animal or person. Special care should be taken with long wire.
3. Clean your unit with a dry cloth. Solvent or detergent should never be used.
4. Avoid leaving your unit in direct sunlight or in hot, humid or dusty places.
5. Keep your unit away from heating appliances and sources of electrical noise such as fluorescent lamps or motors.

TROUBLESHOOTING GUIDE

Symptom	Possible Cause	Solution
The Sensor has been accidentally triggered	The unit is too close to a wall or there is a barrier (e.g. shelf) above or behind that is too close to the clock radio.	Relocate the clock radio to keep it a minimum 3 – 6 inches from a wall and make sure there is no barrier (e.g. shelf) above the clock radio less than the minimum 9 - 12 inches.
Noise or distorted sound on AM or FM broadcast	<ul style="list-style-type: none"> - Station not tuned properly for AM or FM. - FM: FM wire antenna is not extended. - AM: The unit is not placed in best reception point. 	<ul style="list-style-type: none"> - Retune the AM or FM broadcast station. - FM: Fully extend FM wire antenna. - AM: Reposition the unit until the best reception is obtained.
AM or FM no sound	<ul style="list-style-type: none"> - Unit not in "RADIO" function mode. - Volume set at minimum - An external non playing digital audio player is connected to the Aux In jack 	<ul style="list-style-type: none"> - Press On/Off Button until radio is on. - Increase Volume. - Unplug the Aux In cord
Sound appears distorted at high volume setting	- Volume control of this unit is set to maximum.	- Adjust Volume Control to a lower comfortable level.
LCD brightness is too dim	- Display brightness set to dim mode	- Set display brightness to HIGH.

**90 DAY LIMITED WARRANTY AND SERVICE
VALID IN THE U.S.A ONLY**

SPECTRA MERCHANDISING INTERNATIONAL, INC. warrants this unit to be free from defective materials or factory workmanship for a period of 90 days from the date of original customer purchase and provided the product is utilized within the U.S.A. This warranty is not assignable or transferable. Our obligation under this warranty is the repair or replacement of the defective unit or any part thereof, except batteries, when it is returned to the SPECTRA Service Department, accompanied by proof of the date of original consumer purchase, such as a duplicate copy of a sales receipt.

You must pay all shipping charges required to ship the product to SPECTRA for warranty service. If the product is repaired or replaced under warranty, the return charges will be at SPECTRA's expense. There are no other express warranties other than those stated herein.

This warranty is valid only in accordance with the conditions set forth below:

1. The warranty applies to the SPECTRA product only while:
 - a. It remains in the possession of the original purchaser and proof of purchase is demonstrated.
 - b. It has not been subjected to accident, misuse, abuse, improper service, usage outside the descriptions and warnings covered within the user manual or non-SPECTRA approved modifications.
 - c. Claims are made within the warranty period.
2. This warranty does not cover damage or equipment failure caused by electrical wiring not in compliance with electrical codes or SPECTRA user manual specifications, or failure to provide reasonable care and necessary maintenance as outlined in the user manual.
3. Warranty of all SPECTRA products applies to residential use only and is void when products are used in a nonresidential environment or installed outside the United States.

This warranty gives you specific legal rights, and you may also have other rights which vary from state to state. TO OBTAIN SERVICE please remove all batteries (if any) and pack the unit carefully and send it freight prepaid to SPECTRA at the address shown below. IF THE UNIT IS RETURNED WITHIN THE WARRANTY PERIOD shown above, please include a proof of purchase (dated cash register receipt) so that we may establish your eligibility for warranty service and repair of the unit without cost. Also include a note with a description explaining how the unit is defective. A customer service representative may need to contact you regarding the status of your repair, so please include your name, address, phone number and email address to expedite the process.

IF THE UNIT IS OUTSIDE THE WARRANTY PERIOD, please include a check for \$12.00 to cover the cost of repair, handling and return postage. All out of warranty returns must be sent prepaid.

It is recommended that you contact SPECTRA first at 1-800-777-5331 or by email at custserv@spectrainintl.com for updated information on the unit requiring service. In some cases the model you have may be discontinued, and SPECTRA reserves the right to offer alternative options for repair or replacement.

SPECTRA MERCHANDISING INTERNATIONAL, INC.
4230 North Normandy Avenue,
Chicago, IL60634, USA.
1-800-777-5331

To register your product, visit the link on the website below to enter your information.
<http://www.spectrainintl.com/wform.htm>

Printed in China